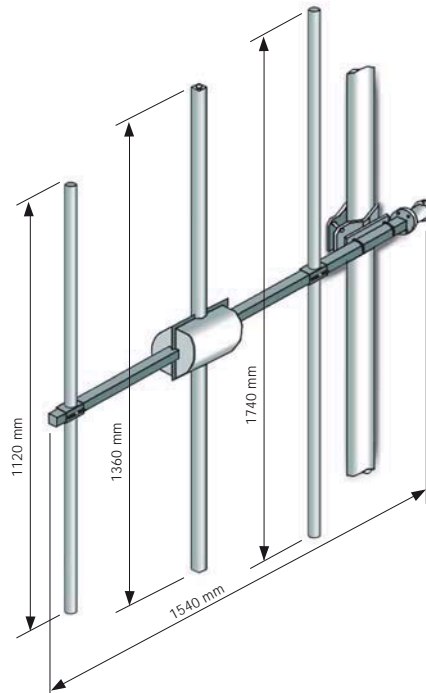


Model AJ3

- **Band II**
- **Broadband 87.5÷108 MHz**
- **Demountable**
- **Vertical or Horizontal polarization**
- **Stainless steel AISI 304**
- **Pressurizzabile on request**

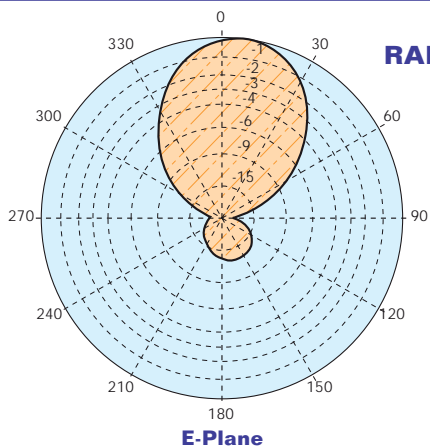


ELECTRICAL DATA

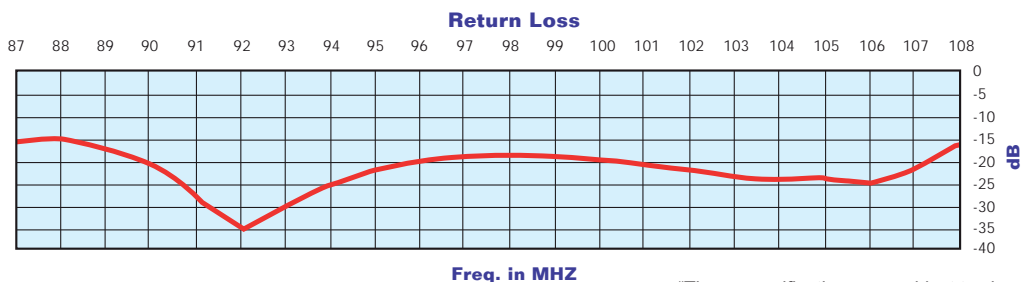
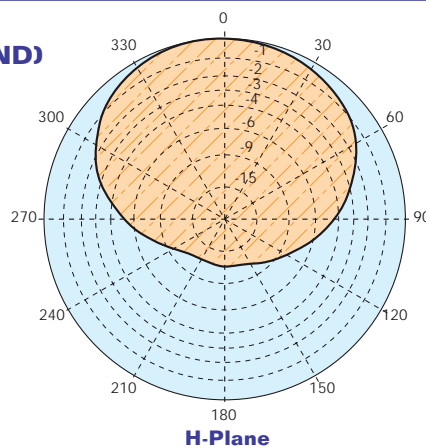
Frequency range	87.5÷108 MHz
Impedance	50 Ohm
Connectors	N or 7/16" or 7/8" EIA
Max Power	800W (N) – 2KW (7/16") – 3.5KW (7/8" EIA)
VSWR	≤ 1.35:1
Polarization	Horizontal or Vertical
Gain	4.0 dB (referred to half-wave dipole)
Half power beam width	E plane ± 32° H plane ± 68°
Lightning protection	All metal parts DC grounded

MECHANICAL DATA

Dimensions	1540x1780x180 mm
Weight	13.5 kg with hardware mounting
Wind surface	0.18 m ²
Wind load	26.7 kg (wind speed at 160 km/h – without radome)
Max wind velocity	200 km/h.
Materials	External parts: stainless steel Internal parts: passivated aluminium Radome: fiberglass (option)
Icing protection	Feed point radome (optional)
Radome	Optional
Mounting	With special pipe clamps 50÷110 mm dia.



RADIATION PATTERN (MID BAND)



"These specifications are subject to change without notice"

Radiations systems with AJ3 yagi antenna

Directional pattern

ELECTRICAL DATA	
Frequency range	87.5+108 MHz
Impedance	50 Ohm
Connector	EIA flange according to system power rating
VSWR	≤ 1.3:1 Max
Polarization	Horizontal or Vertical
Gain	According to requirement
Horizontal pattern	Any type according to requirements
Vertical pattern	Null fill, beam tilt and special requirements to order
Other facilities	The antenna system can be supplied in split feed with two equal half antennas. Each half can accept full power

MECHANICAL DATA	
Height of array	Subject to number of bays (refer to table)
Total net weight	Refer to table
Wind load	Refer to table
Pressurizable	Yes (on request)
Radome	Optional
Mounting hardware	Hot dip galvanized steel clamps
Shipping	As required

TECHNICAL DATA

Number of bays	Dipole per bay	Gain ¹		Weight ² kg	Antenna height L m	Wind load (v=160 km/h) kg	COLLINEARS SYSTEMS ³			
		dB	times				2 KW	4 KW	6 KW	10 KW
2	1	7.0	5.0	27	4.4	53.4	AJ3X22	AJ3X24	AJ3X26	-
4	1	10.0	10.0	54	9.6	106.8	AJ3X42	AJ3X44	AJ3X46	AJ3X410
6	1	11.8	15.0	81	14.8	160.2	AJ3X62	AJ3X64	-	AJ3X610
8	1	13.0	20.0	108	20.0	213.6	AJ3X82	AJ3X84	AJ3X86	AJ3X810
12	1	14.8	30.1	138	30.5	320.4	-	-	-	-

¹ Referred to a half wave dipole. Attenuation of connecting cables not taken into account.

² Without mounting hardware.

³ The systems comprised: antennas, cables and splitter – for more details to see catalog – different version on request.

- Gain is provided for vertical polarization.
- If the antenna is side mounted, the supporting structure will have a slight effect on the radiation pattern and VSWR.
- Vertical tower space, wind load and weight numbers given are typical. Actual values vary with the specific installation. Contact us for more details of your installation.
- Gain will be reduced if null fill, beam tilt or special wavelength spacing is provided.
- Antenna radiation aperture is the distance from the centre of the top bay to the centre of the bottom bay.
- Five ft(1.6mt) of pipe required above the top bay and below the bottom bay for to protect from pattern interference by other antennas.
- Antenna wind load is calculated for 100 Mph (160Km/h) per EIA-222-C standard.

"These specifications are subject to change without notice"

